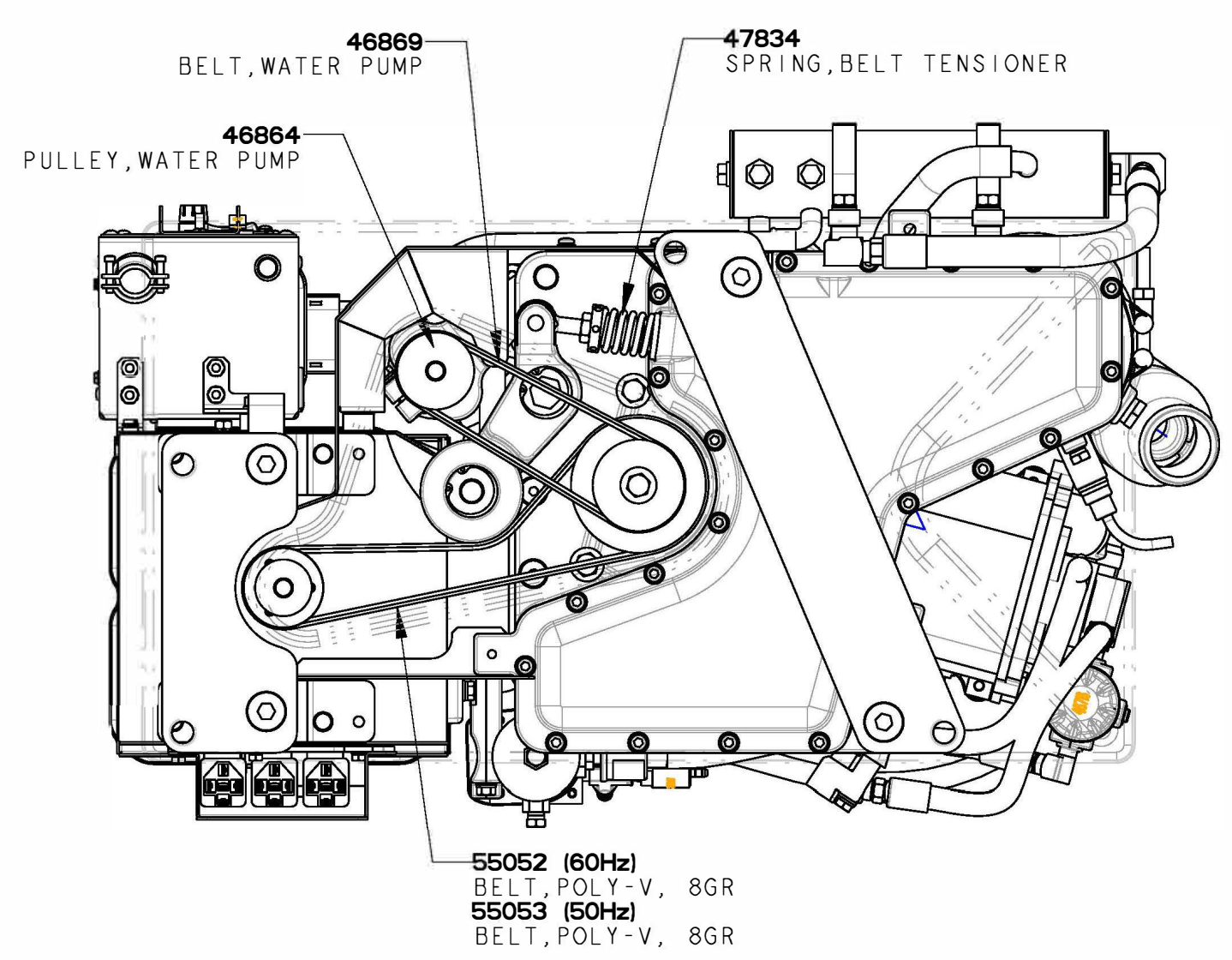
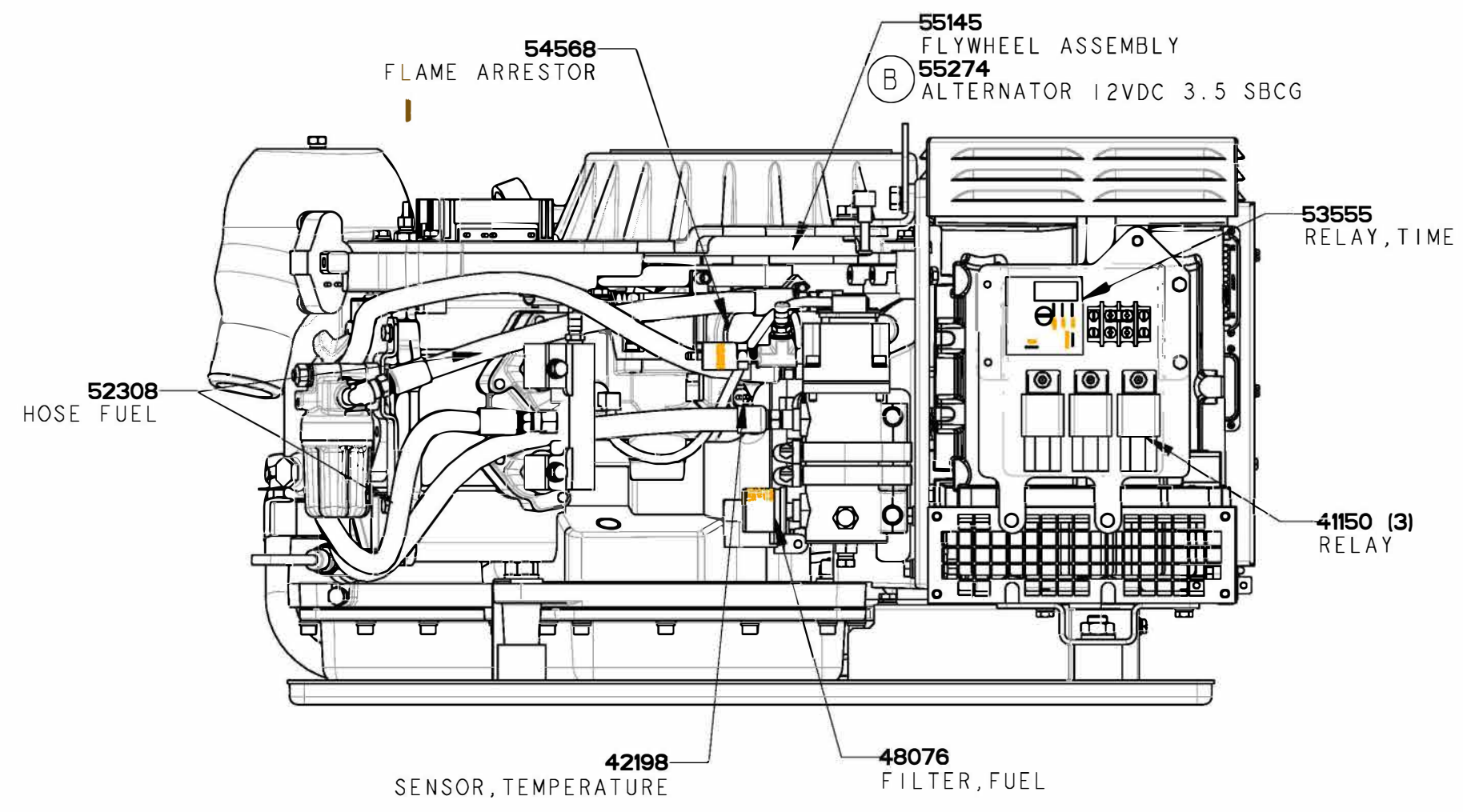
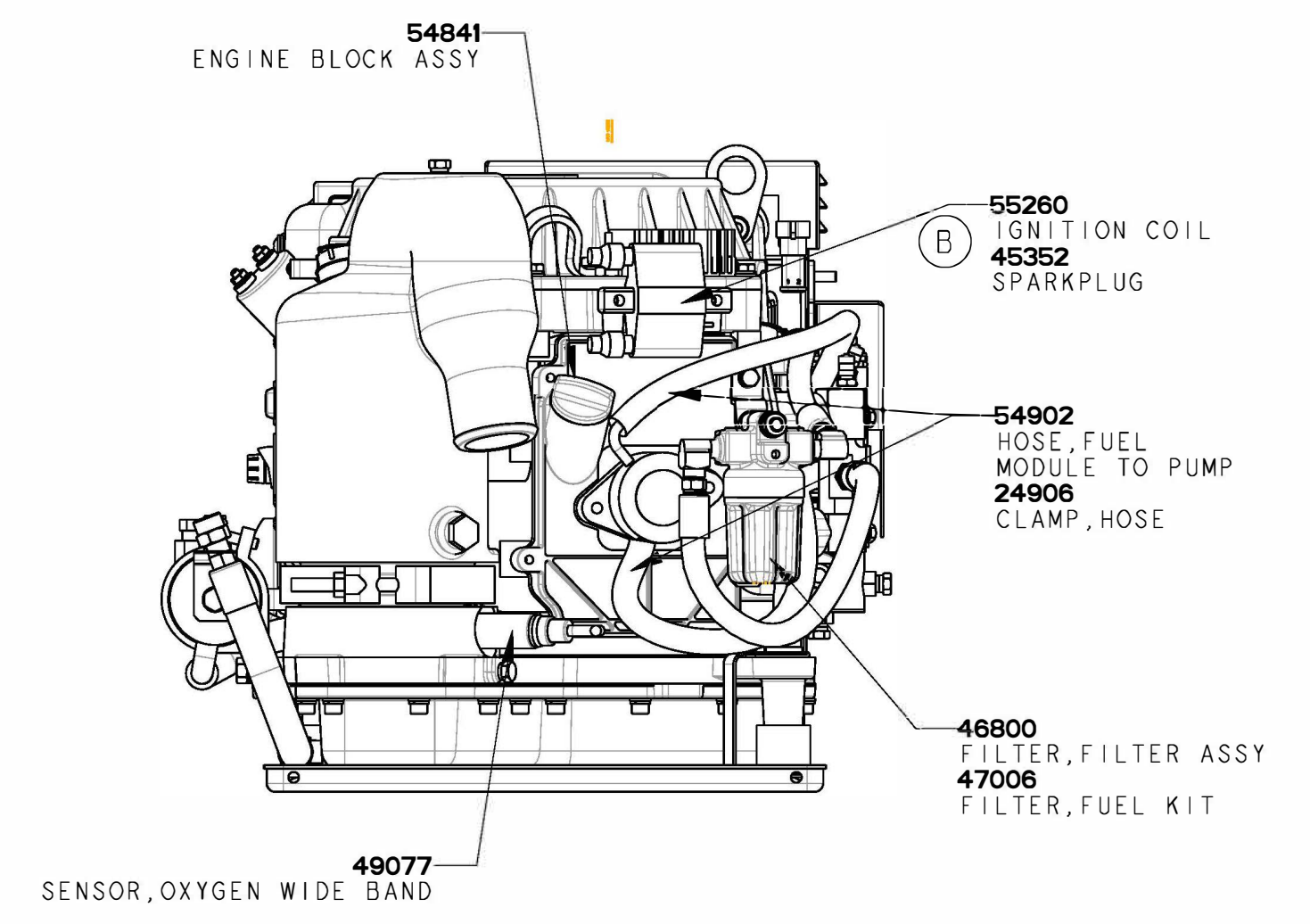
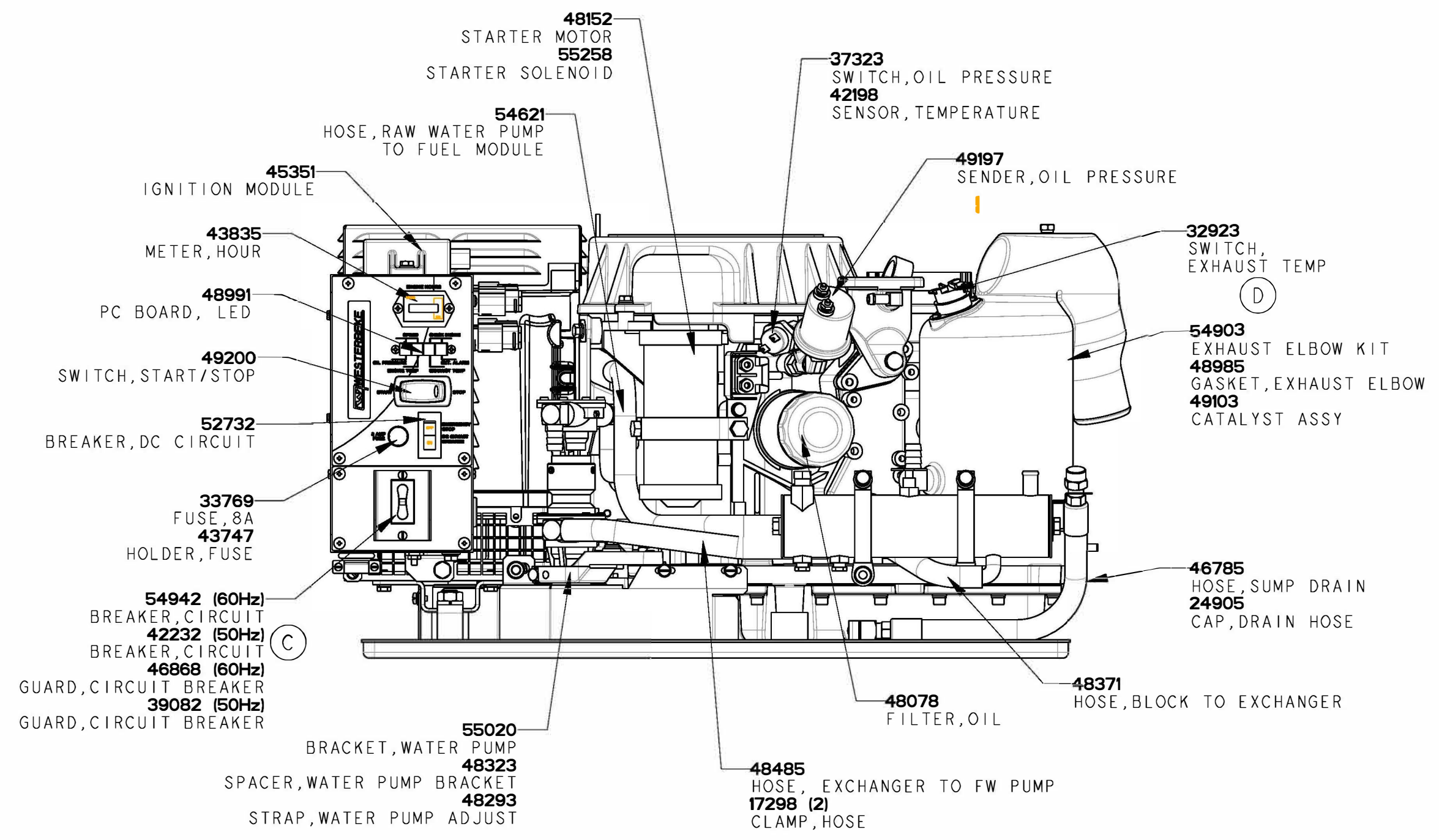
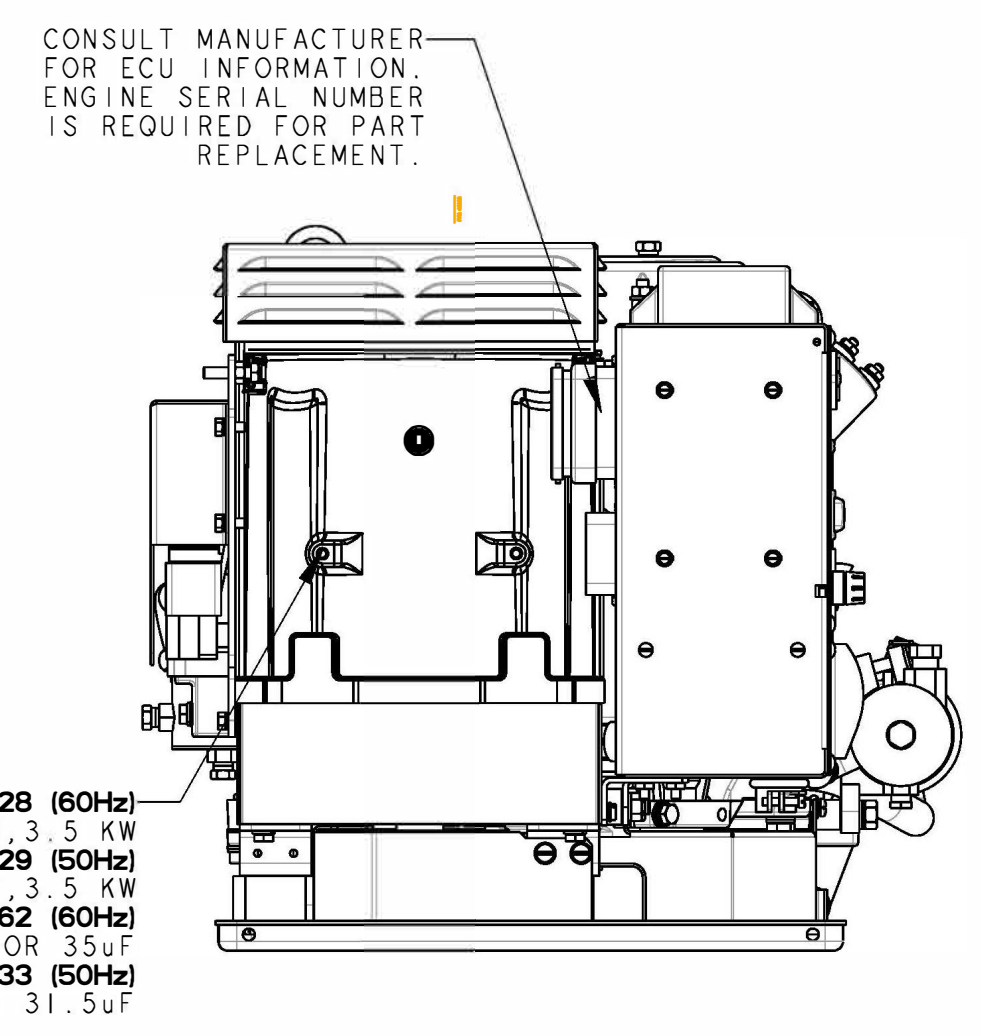
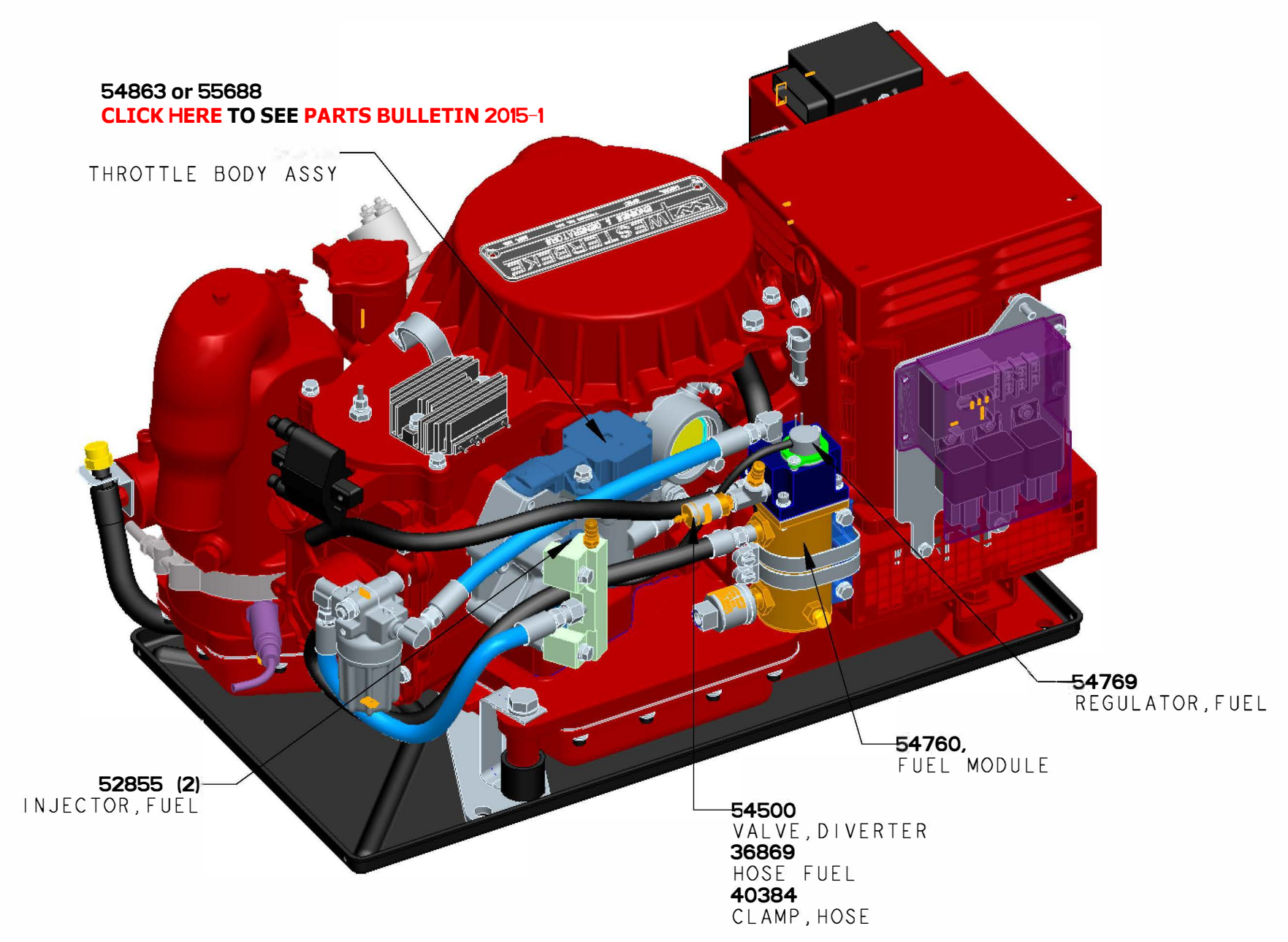
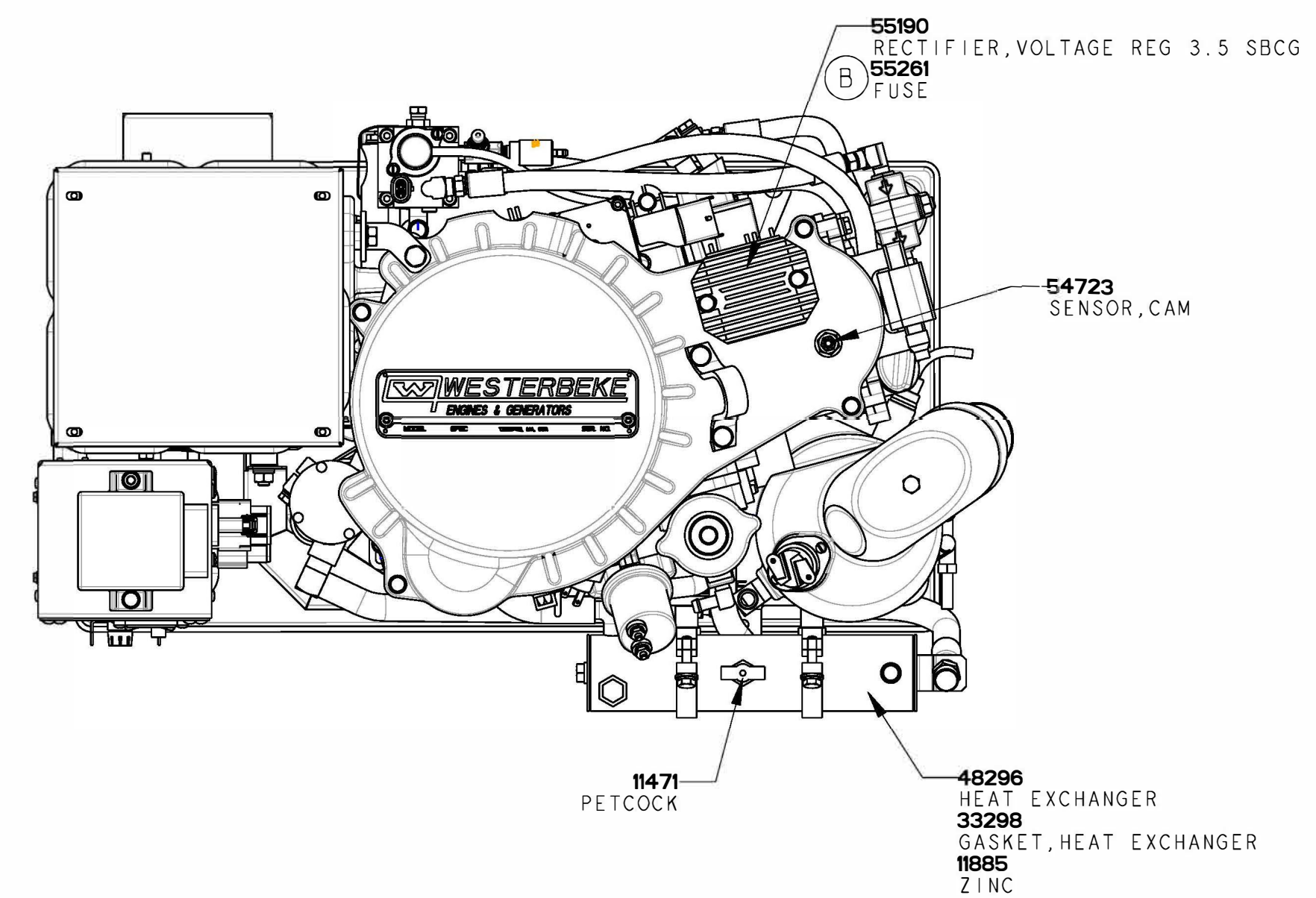
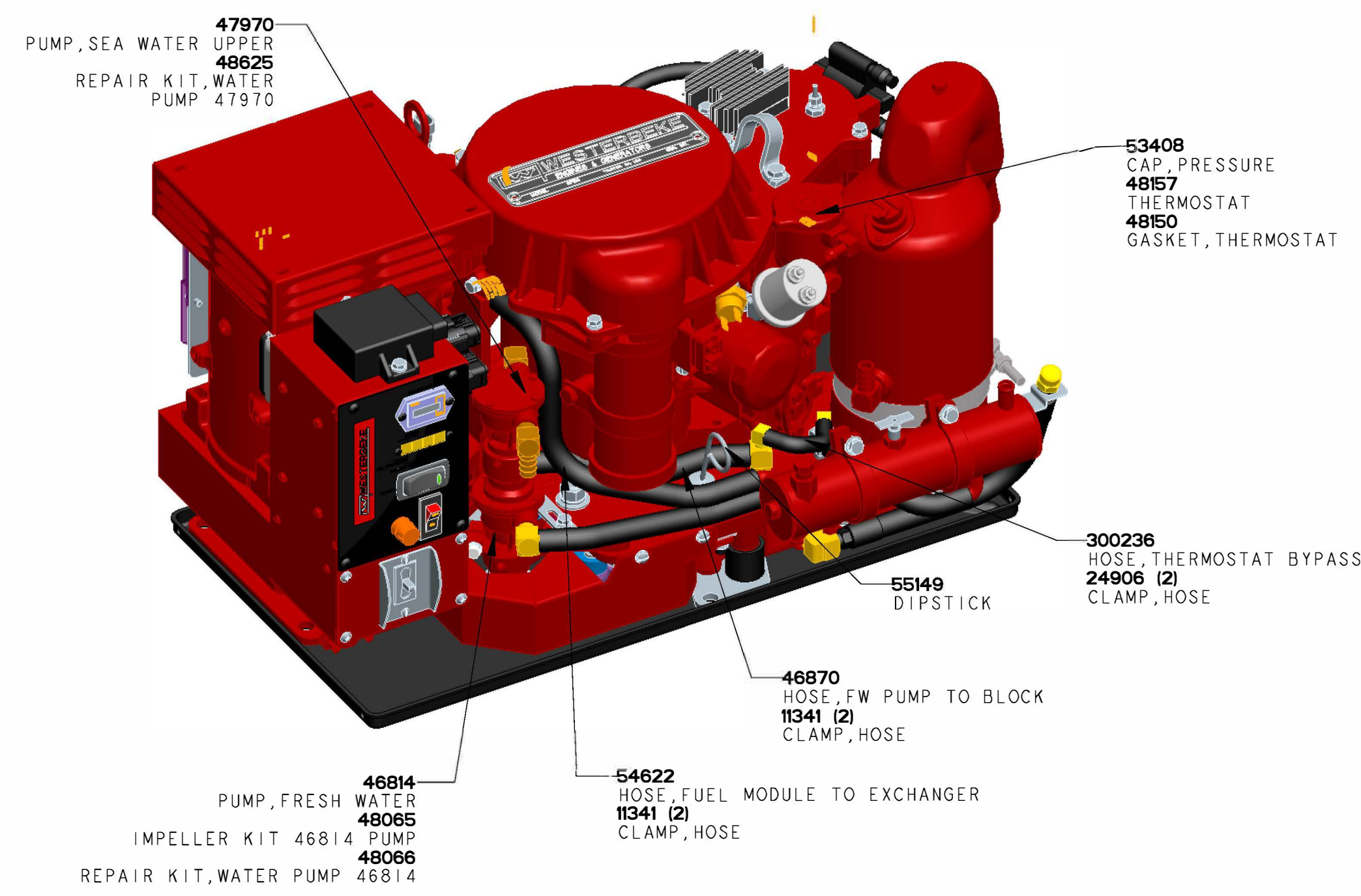


ECO NO.	DATE	REV.	REVISION RECORD	AUTH.	DR. BY
6819	8-23 2011	A	UPDATED BACKEND		GA
6839	12-6 2011	B	55260 IGNITION COIL WAS 45350; 55258 STARTER SOLENOID WAS 48155; 55190 RECTIFIER WAS 48158; ADD KIT A 50HZ		GA
6864	2-16 2012	C	50HZ CIRCUIT BREAKER WAS P/N 39659.		GA
6942	1-25 2013	D	ADDED EXHAUST ELBOW COMPONENTS PART NO.		GA



P/N	DESCRIPTION
54736	HARNASS, GENSET 3.5 SBCG
43622	FUSE 20A (ON HARNASS)
54609	DGGENSET WIRE 3.5 SBCG
54839	MANUAL, OPERATOR 3.0 SBCG
54905	HOSE KIT 3.5 SBCG
54906	GASKET SET, COMPLETE 3.5 SBCG
49324	KIT A 3.5 SBCG 60HZ
(B) 49750	KIT A 3.5 SBCG 50HZ
54907	KIT B 3.5 SBCG 60HZ
(B) 55276	KIT B 3.5 SBCG 50HZ

TOLERANCES (UNLESS OTHERWISE NOTED)		WESTERBEKE CORPORATION TAUNTON, MA. 02780	
INCHES	MILLIMETERS	TITLE	
.XX : .02	X. ± 1.0	DGPARTS 3.5 SBCG	
.XXX : .005	.X ± .5		
CAST : .03	.XX ± .13		
ANGLES : 9°			
FINISH : 5			
DIMENSIONS		DRAWN BY	DATE
← INCHES →		GA	23/Sep/10
← MILLIMETERS →		APPROVED BY	DATE
(WHEN APPLICABLE)			
SCALE 0.250		SIZE	DRAWING NUMBER
SHT. 1 OF 1		D	54840
			REV. D